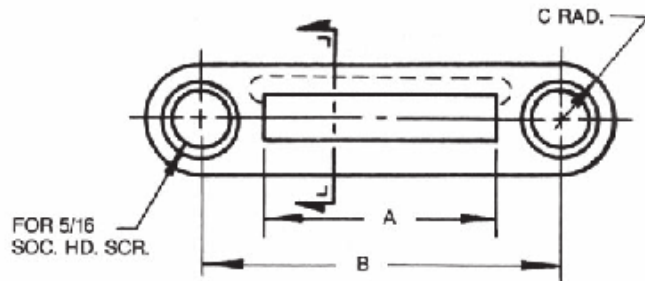
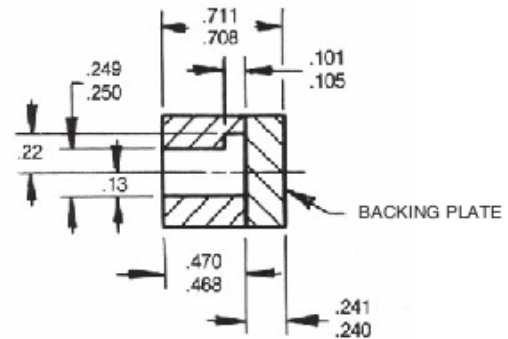


# STANDARD STAMPS & RETAINERS

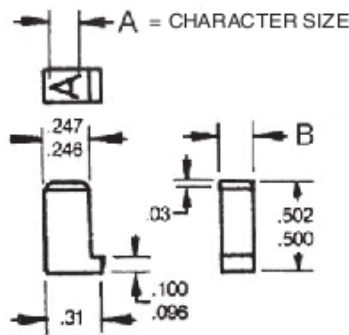


**101 RETAINER**  
 Holds (7) 103 Stamps or  
 (8) 164 Stamps  
 A=1.31 B=2.00 C=.31  
 Used with **102 Backing Plate**

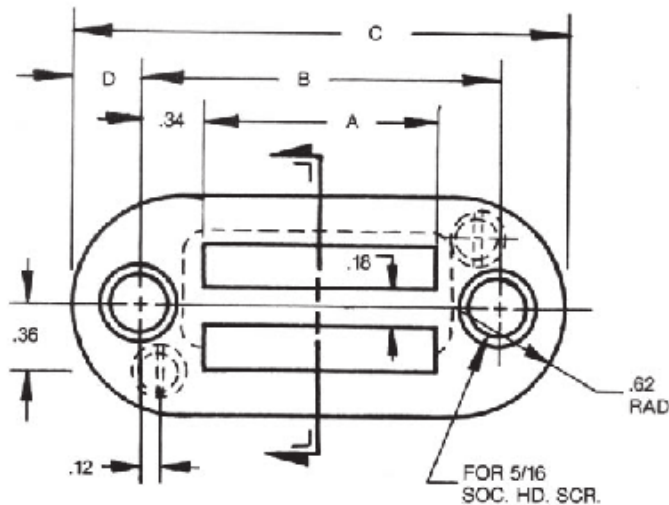


**510 RETAINER**  
 Holds (10) 164 Stamps  
 A=1.64 B=2.31 C=.31  
 Used with **511 Backing Plate**

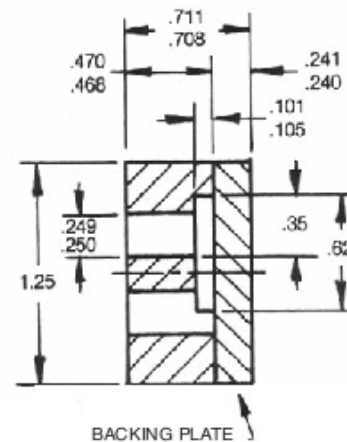
**412 RETAINER**  
 Holds (12) 103 Stamps  
 A=2.25 B=2.94 C=.38  
 Used with **412 Backing Plate**



Part No.	A	B
103 STAMP	5 / 32 "	.187
164 STAMP	5 / 32 "	.164
518 STAMP	3 / 16 "	.164
512 STAMP	1 / 8 "	.164
125 STAMP	1 / 8 "	.125

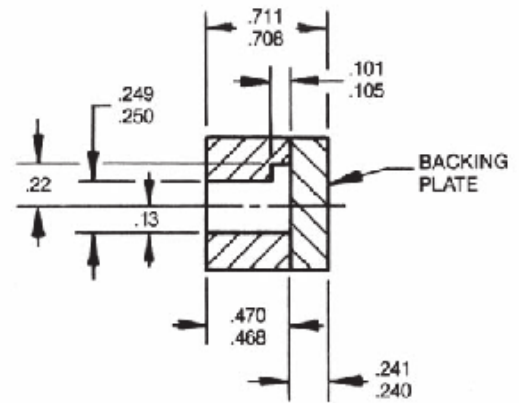
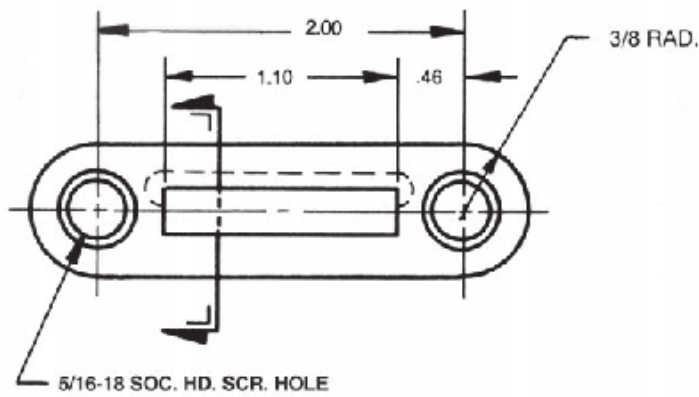


**106 RETAINER**  
 Holds (14) 103 Stamps or  
 (16) 164 Stamps  
 A=1.32 B=2.00 C=2.75 D=.38  
 Used with **107 Backing Plate**



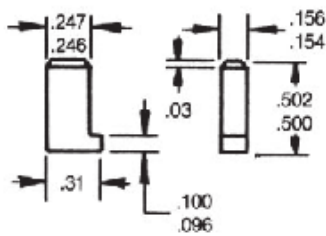
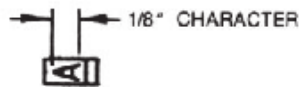
**520 RETAINER**  
 Holds (20) 164 Stamps  
 A=1.64 B=2.31 C=2.94 D=.31  
 Used with **521 Backing Plate**

# STANDARD STAMPS & RETAINERS



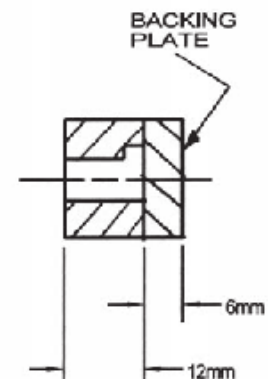
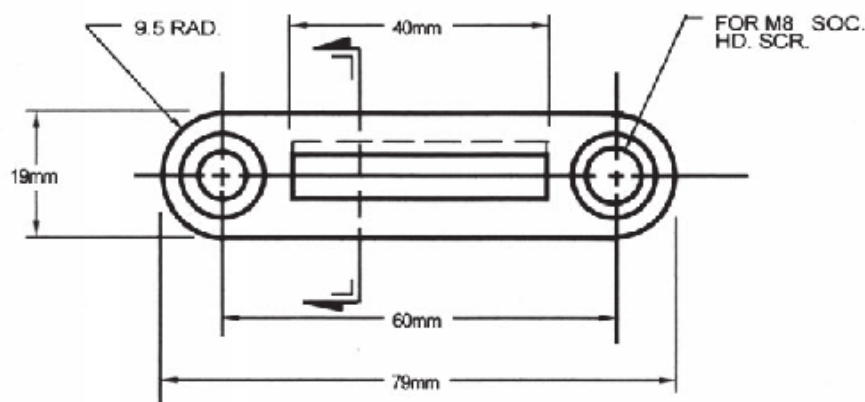
## RN - 1/8 RETAINER

Holds (7) RN-1/8 Stamps  
Used with RN-1/8 Backing Plate



## RN 1/8 STAMP

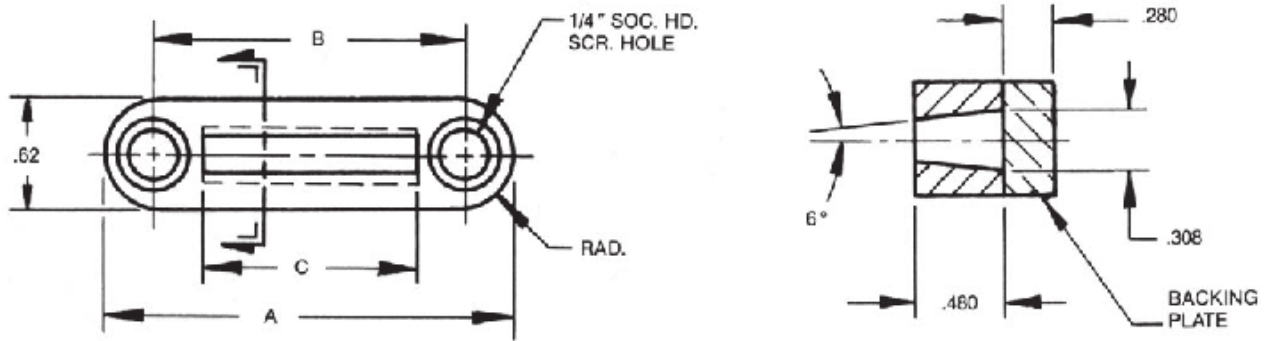
1/8" Character  
Fits Chrysler Retainers



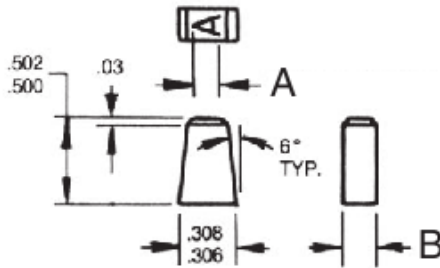
## CHRYSLER NO. 55-506-0442

Holds (10) RN 1/8 Stamps

# STANDARD STAMPS & RETAINERS



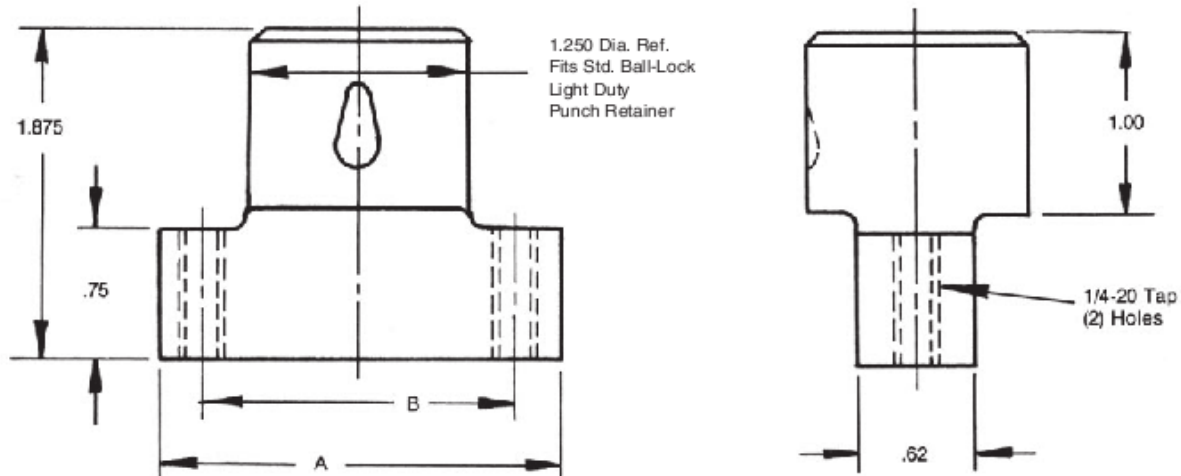
NO.	DESCRIPTION	"A" Dim.	"B" Dim.	"C" Dim.
MR-3	holds 3 180's or 6 090's	1.50	1.00	.562
MR-5	holds 5 180's or 10 090's	1.88	1.38	.936
MR-7	holds 7 180's or 14 090's	2.25	1.75	1.310
MR-9	holds 9 180's or 18 090's	2.75	2.25	1.683



**180 STAMP**  
 1/8" Character height  
 A=1/8"  
 B=.183/.185

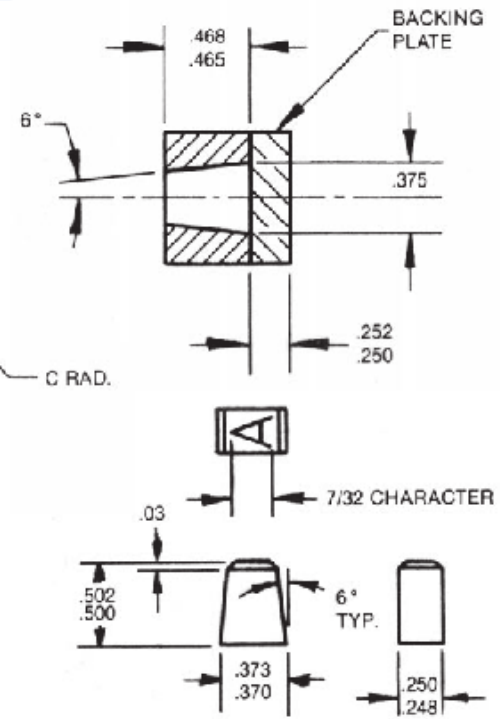
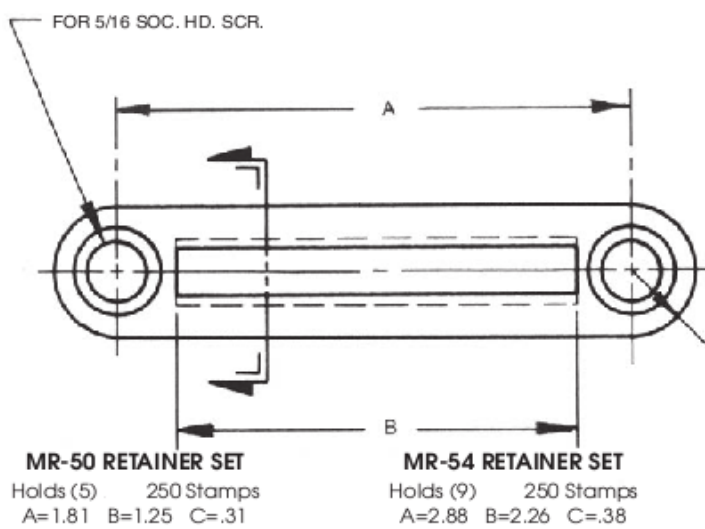
**090 STAMP**  
 3/32" Character height  
 A=3/32"  
 B=.090/.092

## Marker Retainer Punch - Quick Change Type

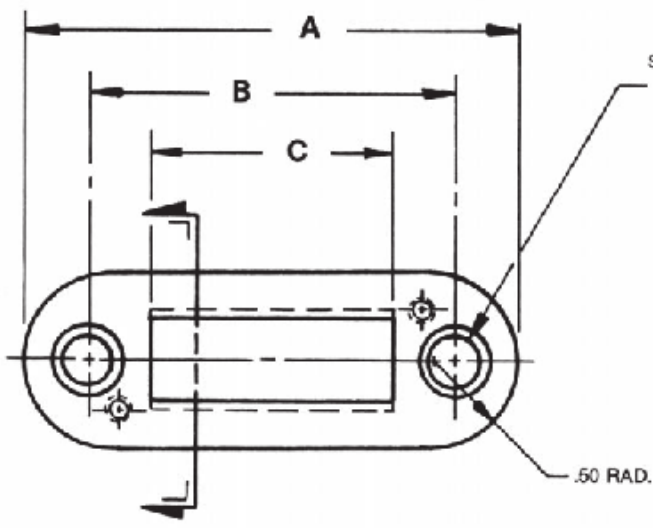


NO.	"A" Dim.	"B" Dim.	FOR RET. NO.
MRP-3	1.62	1.00	MR-3
MRP-5	2.00	1.38	MR-5
MRP-7	2.25	1.75	MR-7
MRP-9	2.75	2.25	MR-9

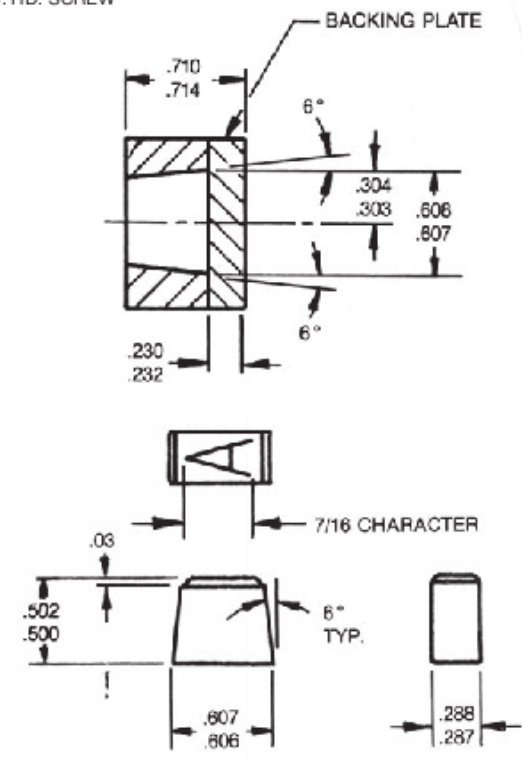
# STANDARD STAMPS & RETAINERS



**250 STAMP**  
 Fits Retainers MR-50, MR-54



**301 RETAINER SET**  
 Holds (5) 310 Wedge Type Stamps  
 A=2.94 B=2.00 C=1.44



**310 STAMP**  
 Fits 301 Retainer